

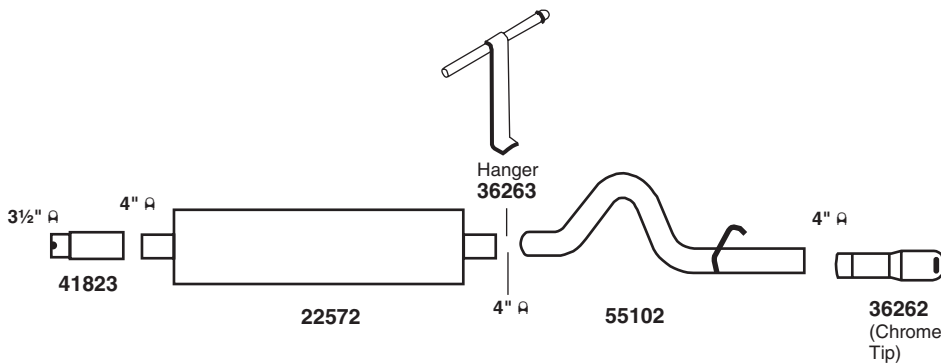


**19332**

Installing a high performance exhaust system has never been easier. These new direct fit systems have been designed to follow OEM routing and mounting points exactly. You don't have to cut or weld brackets and pipes to muffler bodies.

Now you can "bolt-on" a complete DynoMax high performance system — featuring the power boosting Ultra Flo Muffler.

**FORD SUPER DUTY PICKUP — DIESEL — 2 & 4 WD**



**KIT CONTAINS:**

- (1) 22572 MUFFLER
- (1) 41823 PIPE
- (1) 55102 PIPE
- (1) 36262 CHROME TIP
- (1) 36263 HANGER
- (1) 3 1/2" CLAMP
- (3) 4" CLAMPS

**APPLICATION DATA**

Year	Cyl.	Model & Engine
1999-2000	8	Ford Super Duty w/7.3L Turbo Diesel, 2 WD & 4 WD